



CATALOGUE

Vibrating Screen Bearings

Vibrating Screen Bearings

Sferno-valjkasti ležaji - dvoredni

Vibrating Screen Bearings

Vibrating screens, also known as shaker screens, subject bearings to extreme operating conditions. High «g» forces due to constant acceleration and impact from material on the bed require bearings with extra capacity and robust cages. The high loads cause deflection of the shafts and housings so the bearings must accommodate misalignment in operation. Lastly, the application subjects the bearings to high speeds and highly contaminated environments so the bearings must operate smoothly and have minimal friction.

These bearings can be used in mining, construction, aggregate, asphalt recycling, steel manufacturing, and general industrial equipment where heavy loads, vibration, and impact loads are common. Typical examples include vibrating screens and crushers.



Vibrating Screen Bearings

Features

Asymmetrical roller design

- Reduced sliding friction
- Less tendency for roller to skew during operation
- Fewer internal forces in bearing

Forged inner and outer rings

- Uniform steel grain structure
- Improved fatigue life

Open end cage design

- Ease of assembly
- Facilitates lubrication

Two-piece machined bronze retainer

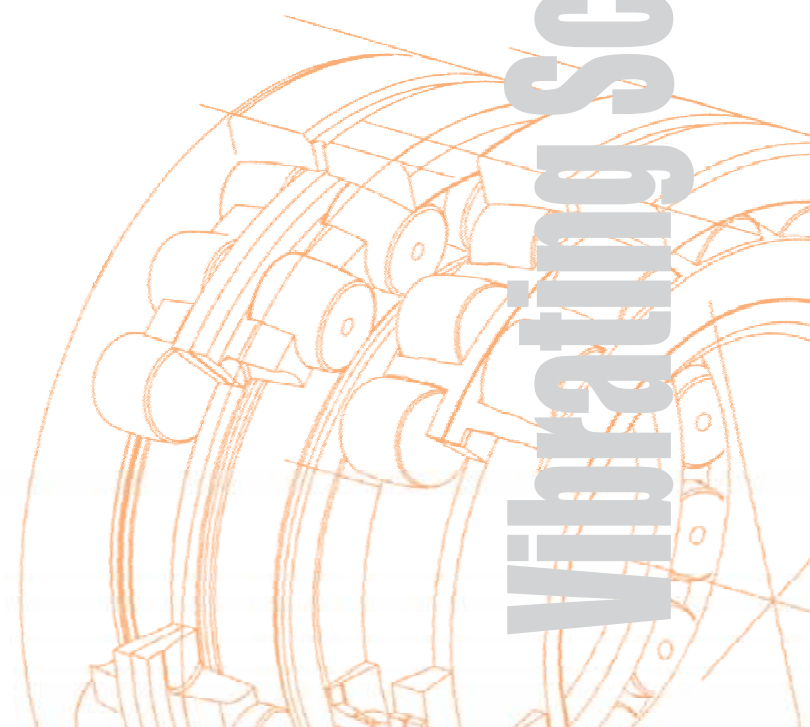
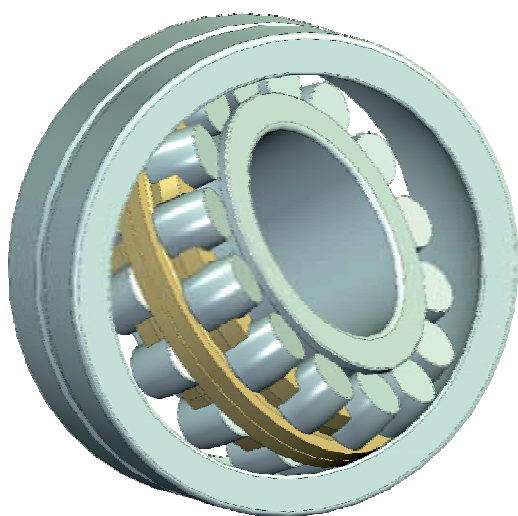
- Allows differential speed between roller sets reducing retainer stresses

Inner and outer ring special heat treatment

- Improved fatigue life

Outer ring guided

- Higher operating speeds
- Improved lubrication of guiding surface

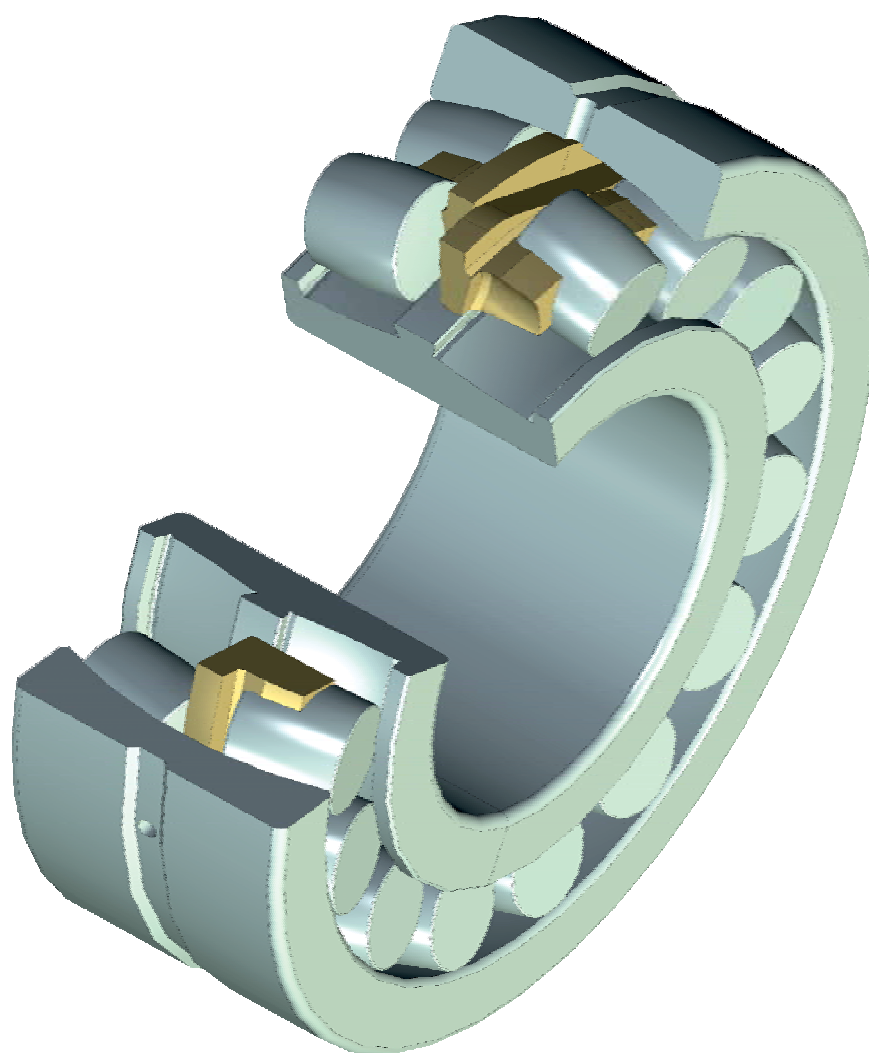


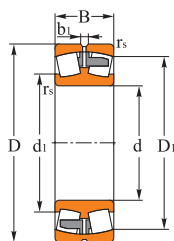


Vibrating Screen Bearings

Sferno-valjkasti ležaji - dvoredni

Vibrating Screen Bearings





Dimensions, mm Glavne dimenzije				Calculating factor Koefficienti				Load ratings, kN		Limiting speed, min ⁻¹ , (lubricant)		Mass, kg	GOST designation (National Standard)	Designation used by IKL		
d	D	B	r _{sm}	b ₁	d ₁	D ₁	e	Y	Y	Y ₀	C	C ₀	Maksimalan broj obrtaja u minuti Grease Oil	Masa	Oznaka GOST	Oznaka DIN
90	190	64	3	11	119	159,1	0,37	1,83	2,72	1,78	535	695	2400 2880	9,08	3618AHK	22318MAW33
100	215	73	3	11	135	181,5	0,37	1,81	2,7	1,77	652	830	1360 1760	13,41	3620AHK	22320MAW33
110	240	80	3	14	149	201,2	0,37	1,83	2,72	1,79	751	943	1200 1520	19,62	3622AHK	22322MAW33
120	260	86	3	14	158	218,5	0,37	1,82	2,71	1,78	864	1094	1120 1440	24,13	3624AHK	22324MAW33
130	280	93	4	14	184	235,5	0,37	1,84	2,74	1,8	1120	1320	1040 1360	28,58	3626AHK	22326MAW33
140	300	102	4	16	181	247,2	0,38	1,76	2,62	1,72	1100	1444	1040 1360	36,1	3628AHK	22328MAW33
150	320	108	4	16	217	262,9	0,38	1,78	2,64	1,74	1208	1670	880 1200	44,64	3630AHK	22330MAW33
160	340	114	4	16	213	280	0,38	1,8	2,69	1,76	1370	1916	760 1040	52,6	3632AHK	22332MAW33
170	360	120	4	16	224	296,1	0,37	1,81	2,69	1,77	1527	2000	760 1040	61,5	3634AHK	22334MAW33
180	380	126	4	22	238	312,1	0,37	1,83	2,71	1,78	1671	2368	720 960	44,64	3636AHK	22336MAW33
190	400	132	5	22	255	328,5	0,36	1,85	2,75	1,81	1816	2675	680 880	86,6	3638AHK	22338MAW33
200	200	420	5	23,5	277	354,9	0,35	1,86	2,81	1,84	2196	2655	880 1200	44,64	3640AHK	22340MAW33

Vibrating Screen Bearings

